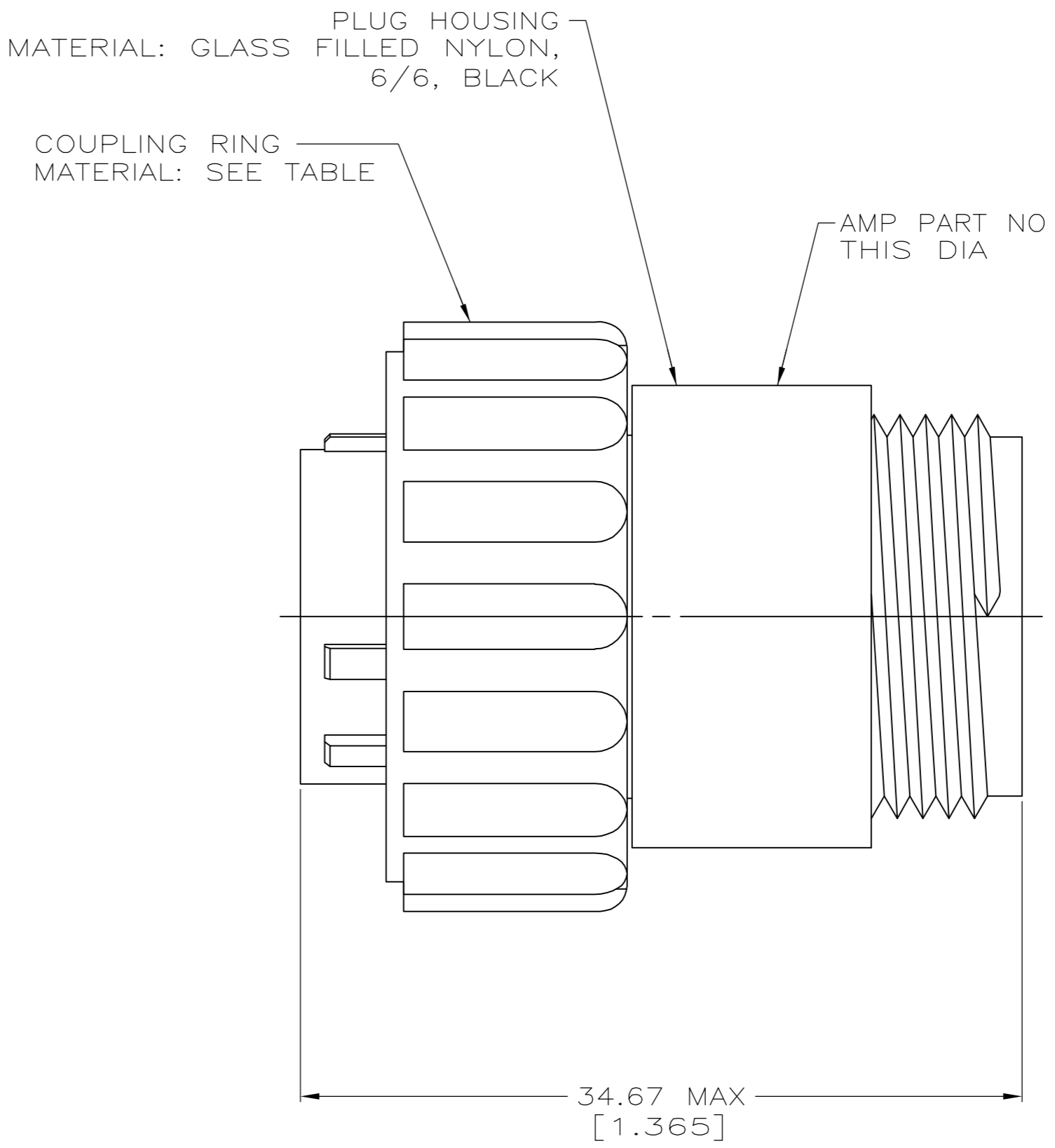
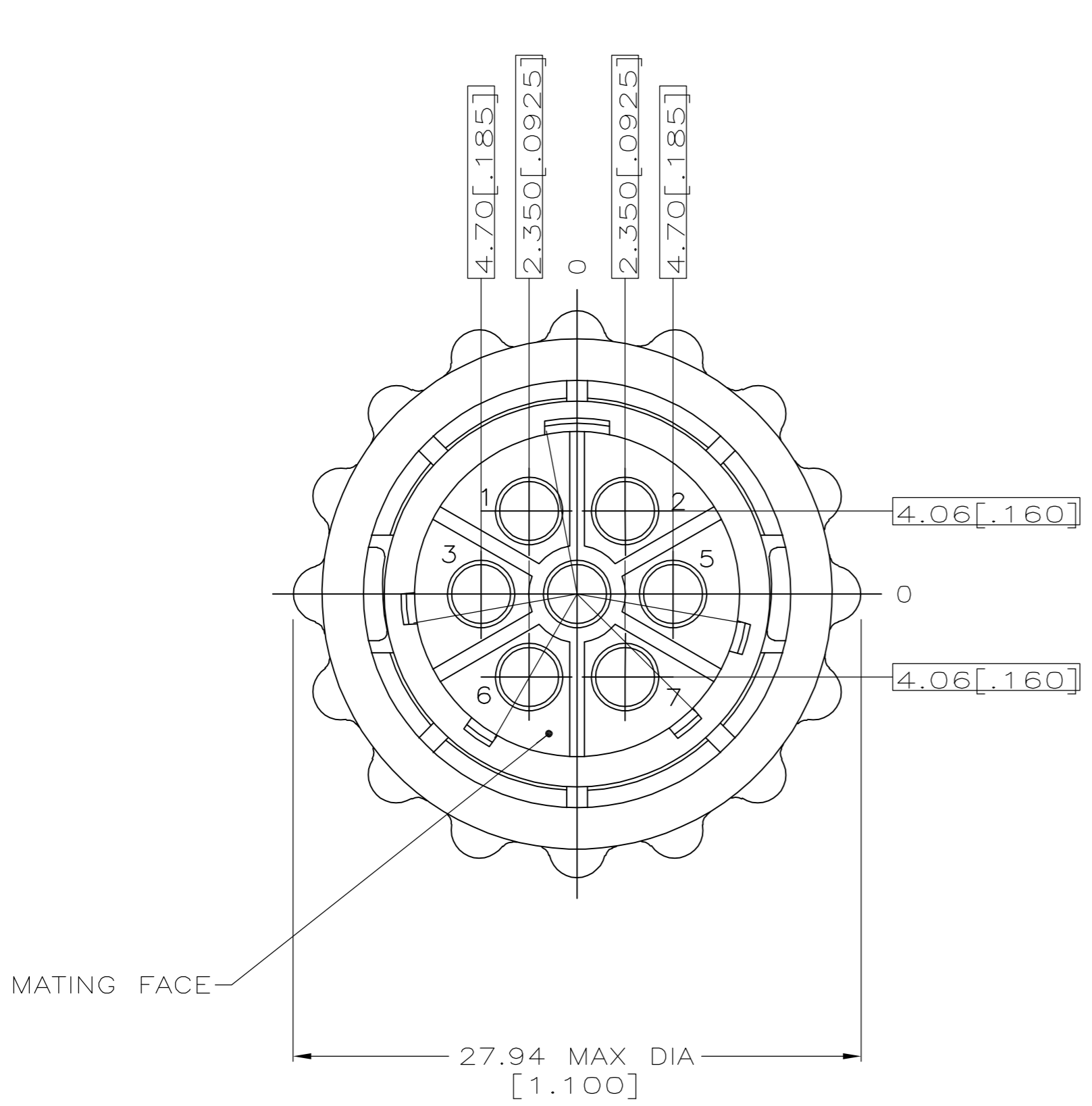


THIS DRAWING IS UNPUBLISHED. RELEASED FOR PUBLICATION
 © COPYRIGHT BY TYCO ELECTRONICS CORPORATION. ALL RIGHTS RESERVED.

LOC		DIST		REVISIONS			
P	LTR	DESCRIPTION	DATE	DWN	APVD		
FT	0						
		D1	REVISED PER ECO-05-675	8/30/05	SS	SH	



- CONTACT CAVITIES IDENTIFIED BY CHARACTERS ON FRONT AND REAR FACES OF CONNECTOR.
- WILL ACCEPT SEVEN (7) MULTIMATE PIN CONTACTS.

DIE CAST ZINC	211400-2
POLYESTER, BLACK	211400-1
COUPLING RING MATERIAL	PART NUMBER

THIS DRAWING IS A CONTROLLED DOCUMENT.		DWN	D.HARDY	07-01-94	tyco Electronics	Tyco Electronics Corporation Harrisburg, PA 17105-3608	
DIMENSIONS: INCHES		CHK	R.STONE	08-10-94		VDE PLUG ASSEMBLY, REVERSE SEX, 13-7, CPC	
TOLERANCES UNLESS OTHERWISE SPECIFIED:		APVD	-	-	NAME		
0 PLC ± -		PRODUCT SPEC	-	-	SIZE	CAGE CODE	DRAWING NO
1 PLC ± -		APPLICATION SPEC	-	-	A2	00779	C=211400
2 PLC ± -		WEIGHT	-	-	SCALE	SHEET	REV
3 PLC ± -		CUSTOMER DRAWING			4:1	1 of 1	D1
4 PLC ± -							
ANGLES ± -							
FINISH							

211400